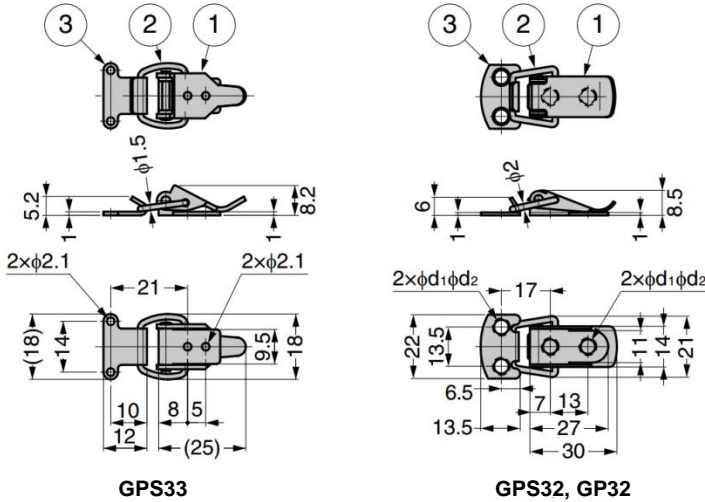


## GP Draw Latch

### Features

- Spring loaded to hold lever in opened/closed position (GPS32 and GP32 models)



GP33

GPS32, GP32

In case of clamping margin "0mm"



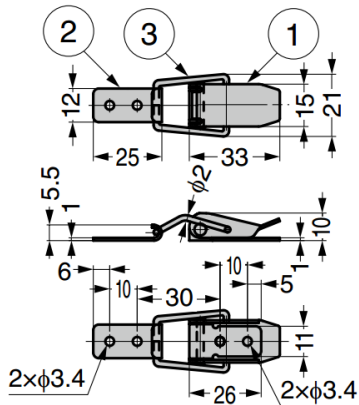
GP33

GPS32

No.	Part Name	Material			Finish		
		GPS33	GPS32	GP32	GPS33	GPS32	GP32
①	Body	Stainless	Steel (SPCC)	Steel (SPCC)	Barrel Polished	Barrel Polished	Clear Zinc
②	Hook	Steel	Steel (SWRH)	Steel (SWRH)	—	—	Chromate
③	Counter Plate	(SUS304)	Steel (SPCC)	Steel (SPCC)	Barrel Polished	Barrel Polished	(Trivalent)

Part No.	Type	Material	d <sub>1</sub>	d <sub>2</sub>	Tension Force	
GP32	With Lever Holding Function When Opened / Closed	Steel	4.8	6.2	78 N	8 kg
GPS32		Stainless Steel 304	3.2	5.2		
GPS33	Without Lever Holding Function When Opened / Closed	Stainless Steel 304	-	-	49 N	5 kg

## GPS35 Stainless Steel Draw Latch



Part No.	Tension Force*
GPS35	19 N      2 kg

\* For clamping margin "0.5 mm"



No.	Part Name	Material	Finish
①	Body	Stainless Steel (SUS304)	Barrel Polished
②	Counter Plate		—
③	Hook		—